

Cartridge Type Separator Filters

*Natural Gas Filter
Technology*



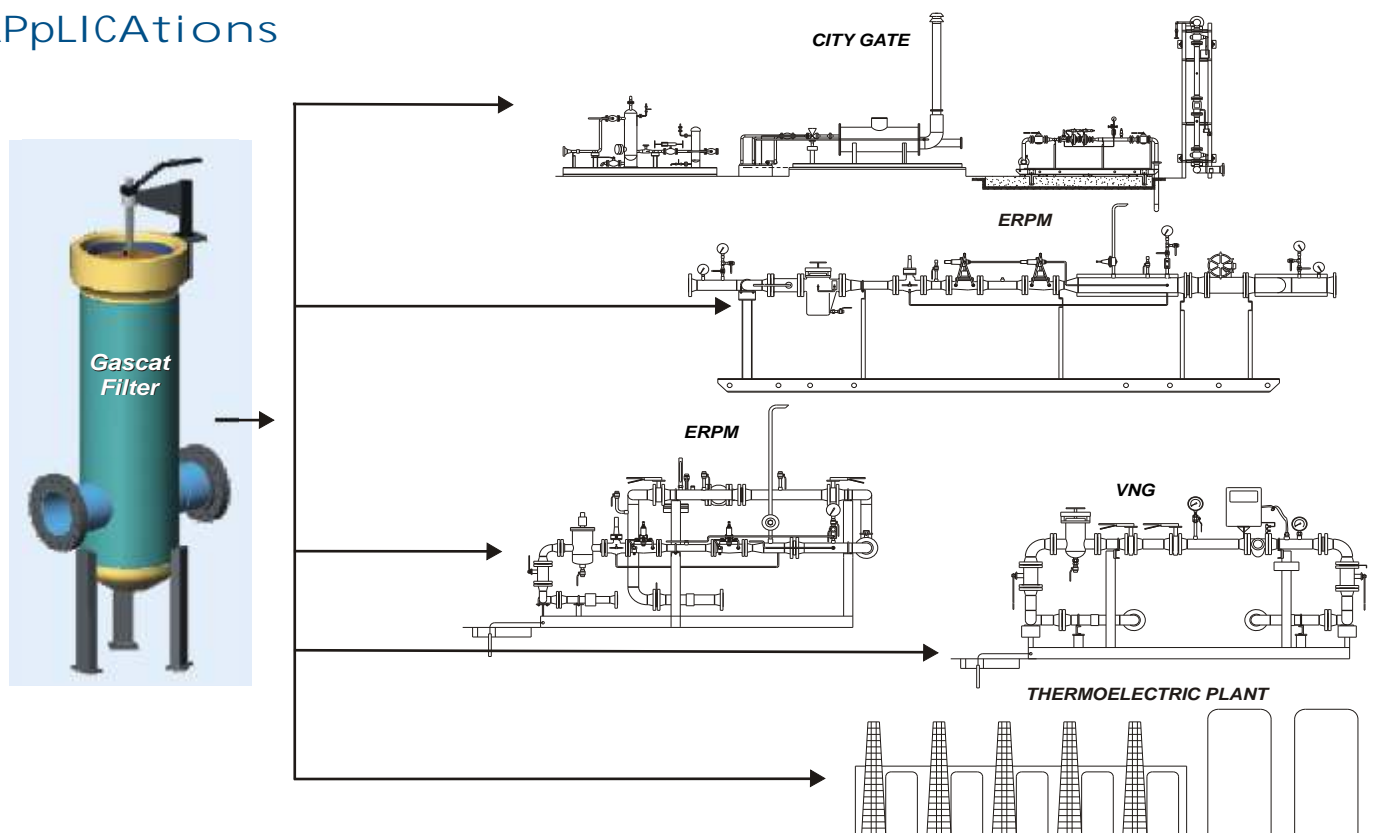
GASCAT

CARtridge type separator filter

TYPICAL APPLICATIONS

- **Compressor Protection**
- **Gas Turbine Protection** - Avoid corrosion, erosion, impact and solid adherence at the internal parts of the equipment.
- **Gas Treatment for instrumentation**
- **Pressure Reduction Stations (ERPM)** - Protects the measuring and control station and equipment, besides guarantee gas quality to the user.
- **Drying Columns and Molecular Sieves** - Protects the desiccants and screen bed of the contaminants generated at the compressors.
- **Efficient for removal of black powder (oxides and sulfides) from piping.**

APpLICAtions



MAIN ADVANTAGES OF THE GASCAT FILTERS

- Quick closing/opening systems for easy access inside the filter.
- Designed and manufactured exclusively for use with natural gas.
- Equipment manufactured at Gascat, with ISO 9000 certificate.
- Standard dimensions, facilitating the substitution of already installed filters.
- Filter elements in stock.
- Metallic filter media with 304 stainless steel, cellulose or other under request.
- Stainless steel filter elements may be supplied optionally, for washing or use with larger pressure loss.
- Gascat has an experience of 22 years in the manufacture and installation of equipment for use in natural gas industry.
- Technical service, with a staff of expert engineers and technicians.
- Training Center available for qualification and training of our product users.



DESCRIPTION

The Gascat separator filters are designed for filtering solids present in the gas flow, using pleated cellulose cartridges, designed and constructed to offer maximum filter area and large capacity to retain and accumulate the filtered solids.

With compact standard construction and using quick opening system, it allows fast and easy change of the filter element.

Operating with great efficiency and low pressure loss, it allows excellent protection to the regulators and pressure meters, minimizing the maintenance and extending equipment life.

Filter elements

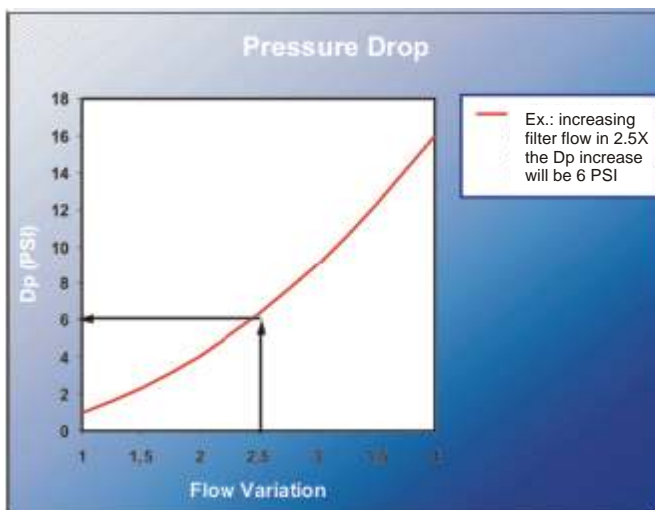
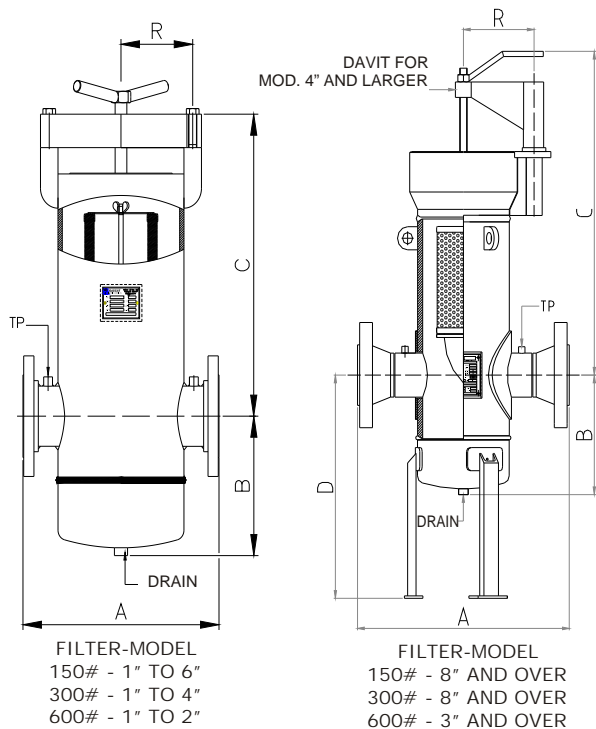
The Gascat separator filters use standard filter elements, cellulose pleated, with structure in 304 stainless steel, corrosion resistant material and guaranteeing excellent mechanical strength to the cartridge. Optionally, the cartridges may be constructed with stainless steel mesh and can be recovered and reused after cleaning, besides allowing operation with greater pressure loss and consequent maintenance cycle reduction. Gascat filter elements have a nominal filter degree of 5, 10 and 20 micra, optionally may be supplied with another opening or absolute retention.



Construction characteristics

- Designed and constructed according to ASME VIII DIV I
- Construction materials according to ASTM
- Pressure class 150, 300 and 600 lbs (others under request)
- Flanged connections ANSI B16.5 - 1" to 12" (others under request)
- Quick closing and opening (QOC)
- Compact construction and simple operation
- Does not need special tools for maintenance
- Filtering from outside to inside the element, this makes easier the cleaning of the filter housing and the element
- Cartridges with standard dimensions and immediate shipment
- 100% hydrostatic tested
- Nozzle direction STD 180° "in line" (other under request)
- Painted and identified according to Gascat standard

CARtridge type separator filter



DIMENSIONS (mm)																			
		150#					300#					600#					CONNECTION		ELEMENT AREA
DN	A	B	C	D	R	A	B	C	D	R	A	B	C	-	R	DRAIN	TP	cm ²	
1	195	80	340	-	86	300	80	340	-	86	300	80	340	-	86	1/2	1/4	1100	
1.1/2	292	174	372	-	125	410	174	372	-	125	490	174	372	-	125	1/2	1/4	2360	
2	292	174	372	-	125	410	174	372	-	125	490	174	372	-	125	1/2	1/4	2360	
3	358	200	472	-	150	460	200	472	-	150	540	200	472	-	150	1/2	1/4	4860	
4	425	260	650	-	156	520	330	850	-	156	630	330	850	800	156	1/2	1/4	21.900	
6	584	280	1000	800	230	630	360	1500	800	230	760	360	1800	800	230	1	1/4	52.600	
8	820	540	1800	800	280	890	540	1800	800	280	950	540	2100	1000	280	1	1/4	108.000	
10	960	640	2000	1000	380	1000	640	2100	1000	380	1060	640	2400	1200	380	1	1/4	121.400	
12	1100	760	2200	1200	420	1160	760	2400	1200	420	1200	760	2600		420	1	1/4	461.000	

APPROXIMATE DIMENSIONS - FOR EXECUTIVE PROJECT PLEASE REQUEST CERTIFICATE DRAWINGS

NOTES

- 1 - Drain and monometer connections are threaded NPT 300#, optionally may be flanged.
- 2 - Flanges for 150# filters are SORF type, for class 300#, 600# and 900# will be WNRF.
- 3 - Longitudinal and circumferential weld seams are PL inspected for class 150#, for other classes will be inspected with X-Rays and/or US.
- 4 - Additional tests may be conducted optionally.
- 5 - Gascat filters are supplied packed in cardboard box or wood crate.
- 6 - Optionally they may be supplied with differential pressure manometers, differential pressure indicator, pressure transmitters, level transmitters, level gauge and automatic purge drains.



Head Office / Factory

Rodovia SP 73, nº 1141 - Bairro Pimenta

Indaiatuba - SP - CEP 13.347-390

Tel: (0XX19) 3936-9300 - Fax: (0XX19) 3935-6009

<http://www.gascap.com.br>

e-mail: sales@gascap.com.br